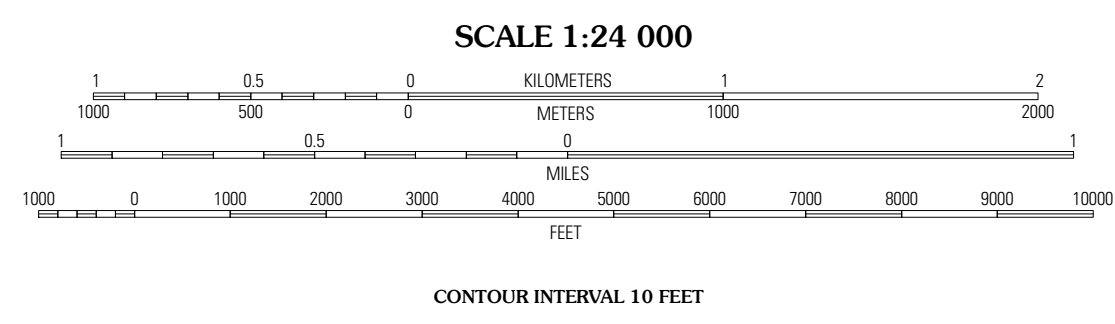
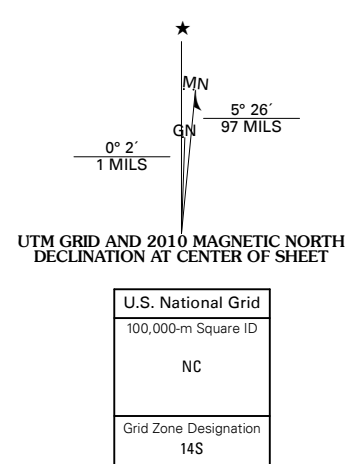


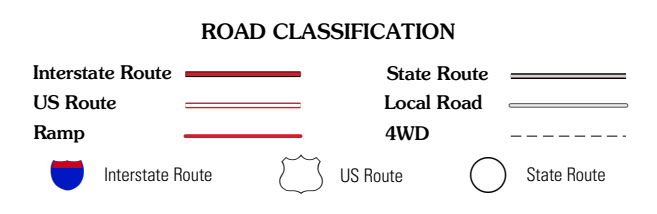
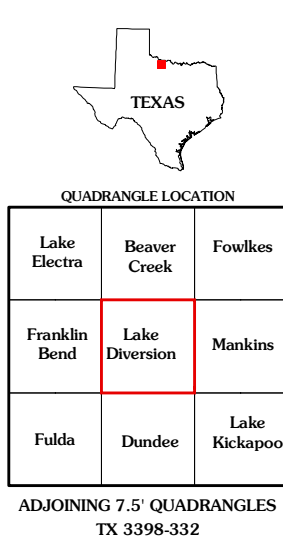


Produced by the United States Geological Survey  
North American Datum of 1983 (NAD83)  
World Geodetic System of 1984 (WGS84). Projection and  
1 000-meter grid; Universal Transverse Mercator, Zone 14S  
10 000-foot ticks; Texas Coordinate System of 1983  
(north central zone)

Imagery.....NAIP, July 2008  
Roads.....US Census Bureau TIGER data  
with limited USGS updates, 2004  
Names.....GNIS, 2008  
Hydrography.....National Hydrography Dataset, 1995  
Contours.....National Elevation Dataset, 2005



This map was produced to conform with version 0.5.10 of the  
draft USGS Standards for 7.5-Minute Quadrangle Maps.  
A metadata file associated with this product is also draft version 0.5.10



LAKE DIVERSION, TX  
2010