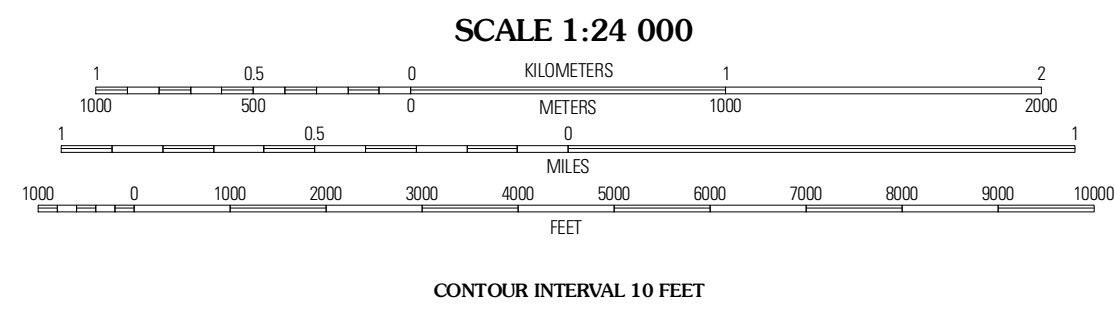
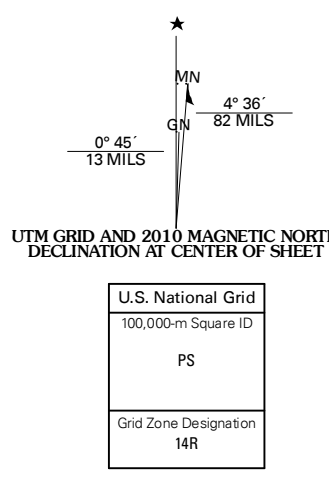




Produced by the United States Geological Survey  
North American Datum of 1983 (NAD83)  
World Geodetic System of 1984 (WGS84). Projection and  
1 000-meter grid: Universal Transverse Mercator, Zone 14R  
10 000-foot ticks: Texas Coordinate System of 1983  
(south central zone)

Imagery.....NAIP, January 2009  
Roads.....US Census Bureau TIGER data  
with limited USGS updates, 2004  
Names.....GNIS, 2008  
Hydrography.....National Hydrography Dataset, 1995  
Contours.....National Elevation Dataset, 2008



CONTOUR INTERVAL 10 FEET

This map was produced to conform with version 0.5.10 of the  
draft USGS Standards for 7.5-Minute Quadrangle Maps.  
A metadata file associated with this product is also draft version 0.5.10



ADJOINING 7.5 QUADRANGLES  
TX 2897-422

Charco	Goliad	Hensley Lake
Berclair	<b>Melo</b>	Lake Oak Lake
Sidmore NE	Blanconia	Byramble

