

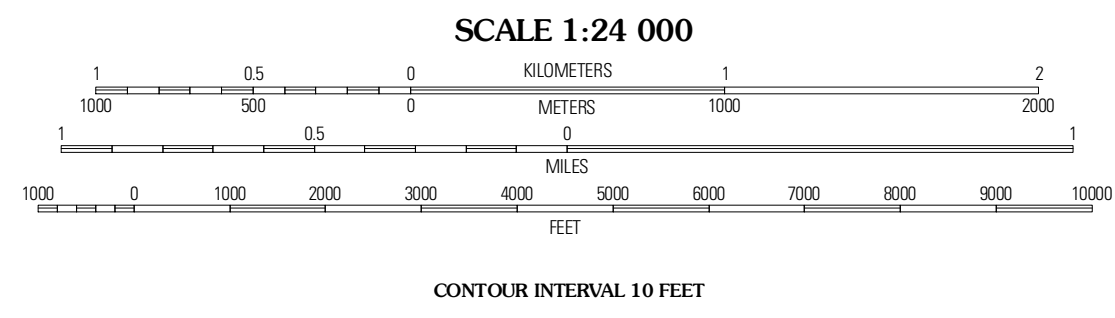


Produced by the United States Geological Survey
North American Datum of 1983 (NAD83)
US Census Bureau TIGER data
with limited USGS updates, 2006 - 2008
Names.....GNIS, 2008
Hydrography.....National Hydrography Dataset, 1995
Contours.....National Elevation Dataset, 2004

UTM GRID AND 2011 MAGNETIC NORTH DECLINATION AT CENTER OF SHEET

U.S. National Grid
300,000m Square ID
0A
Grid Zone Designation
14R

11° 21' N
71 MILS



QUADRANGLE LOCATION

Union High	Wortham	Kirvin
Tehuacana	Mexia	Tegue North
Groesbeck	Fallon	Tegue South

ADJOINING 7.5 QUADRANGLES
TX 3196-423

ROAD CLASSIFICATION

Interstate Route	State Route
US Route	Local Road
Ramp	4WD

Interstate Route US Route State Route

This map was produced to conform with version 0.5.10 of the draft USGS Standards for 7.5-Minute Quadrangle Maps. A metadata file associated with this product is also draft version 0.5.10

MEXIA, TX
2010