



U.S. DEPARTMENT OF THE INTERIOR
U. S. GEOLOGICAL SURVEY

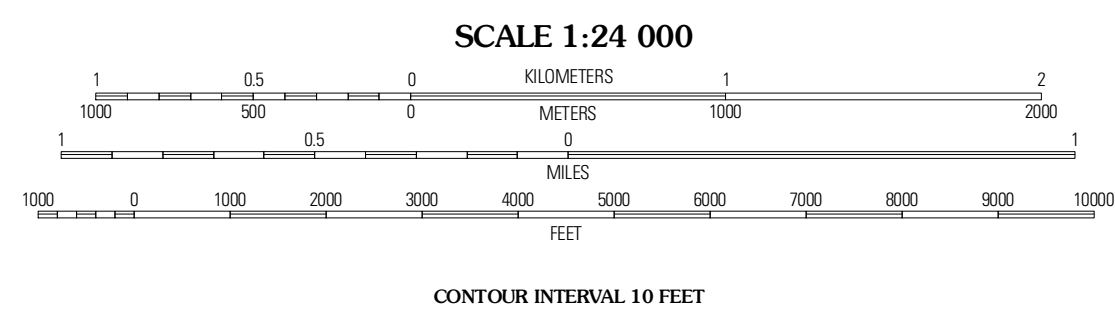
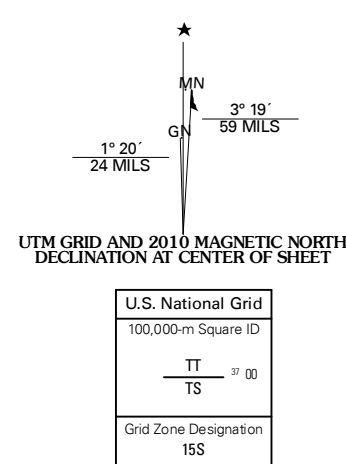


MINTER QUADRANGLE
TEXAS
7.5-MINUTE SERIES



Produced by the United States Geological Survey
North American Datum of 1983 (NAD83)
World Geodetic System of 1984 (WGS84). Projection and
1 000-meter grid: Universal Transverse Mercator, Zone 15S
10 000-foot ticks: Texas Coordinate System of 1983
(north central zone)

Imagery.....NAP, January 2009
Roads.....US Census Bureau TIGER data
with limited USGS updates, 2004
Names.....GNIS, 2008
Hydrography.....National Hydrography Dataset, 1995
Contours.....National Elevation Dataset, 2004



This map was produced to conform with version 0.5.10 of the
draft USGS Standards for 7.5-Minute Quadrangle Maps.
A metadata file associated with this product is also draft version 0.5.10



QUADRANGLE LOCATION

Blardtown	Pattonville	Deport
Charleston	Minter	Cunningham
Thra	Sulphur Bluff	Mitchell Creek

ADJOINING 7.5' QUADRANGLES
TX 3395-133

ROAD CLASSIFICATION

Interstate Route	State Route
US Route	Local Road
Ramp	4WD

MINTER, TX
2010