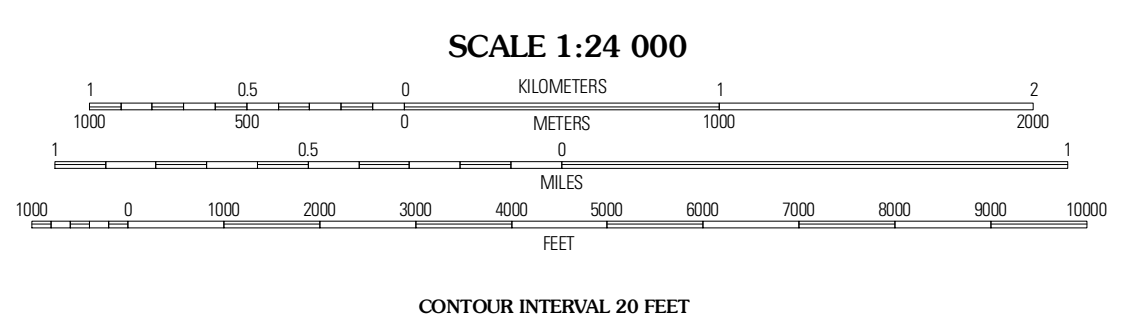
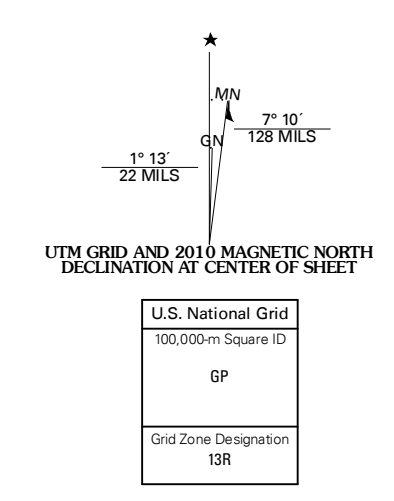
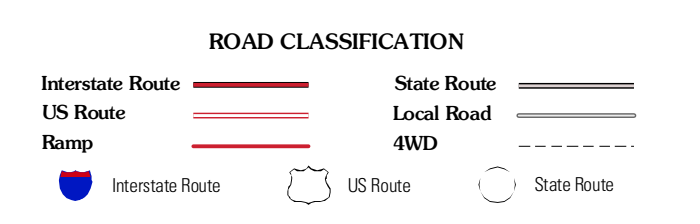
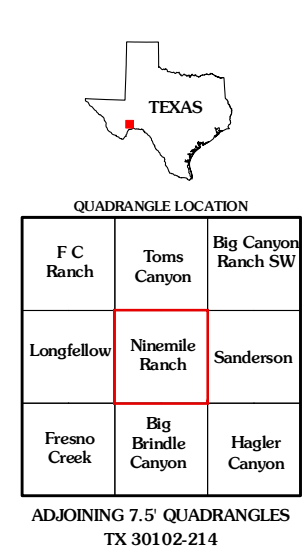


Produced by the United States Geological Survey  
North American Datum of 1983 (NAD83)  
World Geodetic System of 1984 (WGS84). Projection and  
1 000-meter grid: Universal Transverse Mercator, Zone 13R  
10 000-foot ticks: Texas Coordinate System of 1983  
(south central and central zones)

Imagery:.....NAP, September 2008  
Roads:.....US Census Bureau TIGER data  
with limited USGS updates, 2008  
Names:.....GNIS, 2008  
Hydrography:.....National Hydrography Dataset, 1995  
Contours:.....National Elevation Dataset, 2006



This map was produced to conform with version 0.5.10 of the  
draft USGS Standards for 7.5-Minute Quadrangle Maps.  
A metadata file associated with this product is also draft version 0.5.10



**NINEMILE RANCH, TX**  
2010

ADJOINING 7.5' QUADRANGLES  
TX 30102-214