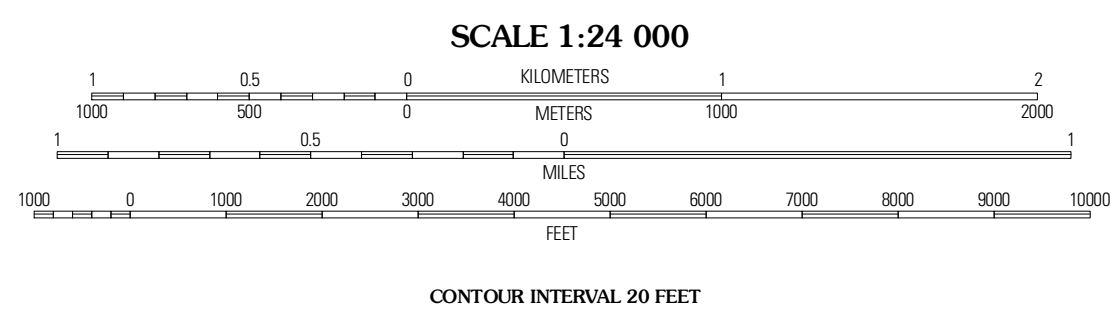
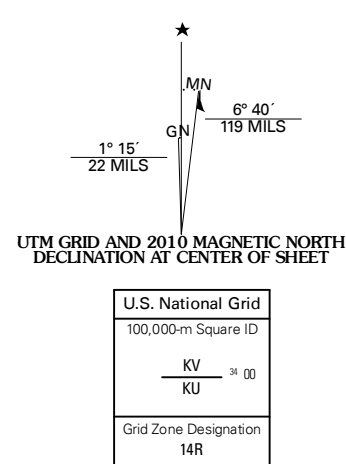




Produced by the United States Geological Survey
North American Datum of 1983 (NAD83)
World Geospatial System of 1984 (WGS84). Projection and
1 000-meter grid; Universal Transverse Mercator, Zone 14R
10 000-foot ticks: Texas Coordinate System of 1983
(central zone)

Imagery:.....NAP, September 2008
Rivers:.....US Census Bureau TIGER data
with limited USGS updates, 2008
Names:.....GNIS, 2008
Hydrography:.....National Hydrography Dataset, 1995
Contours:.....National Elevation Dataset, 2006



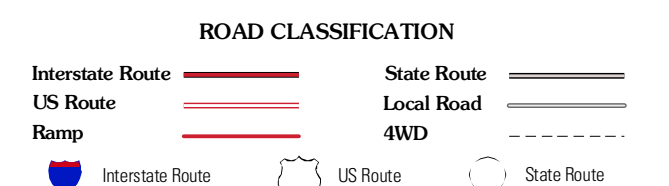
This map was produced to conform with version 0.5.10 of the
draft USGS Standards for 7.5-Minute Quadrangle Maps.
A metadata file associated with this product is also draft version 0.5.10



QUADRANGLE LOCATION

Owens Creek SE	Schneeman Draw SW	Schneeman Draw SE
Bachelor Hill	Pikes Peak	Mitchell Canyon NE
Burnt Canyon	Mitchell Canyon	Hunt Ranch

ADJOINING 7.5' QUADRANGLES
TX 30101-423



PIKES PEAK, TX
2010