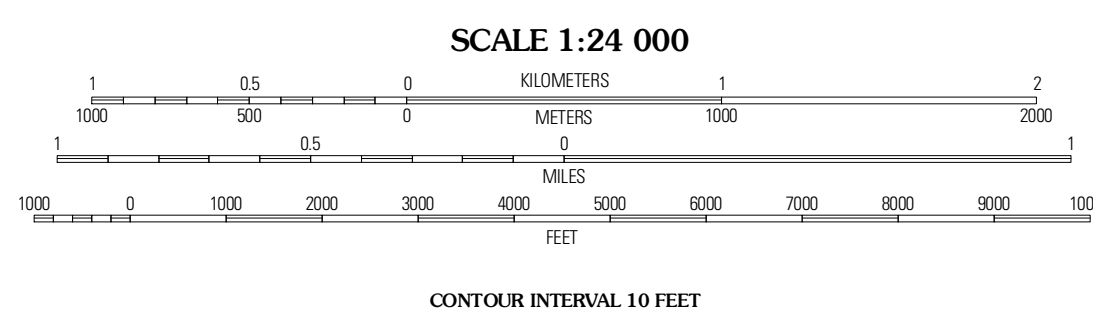
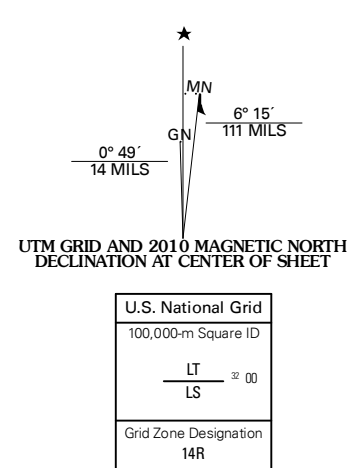


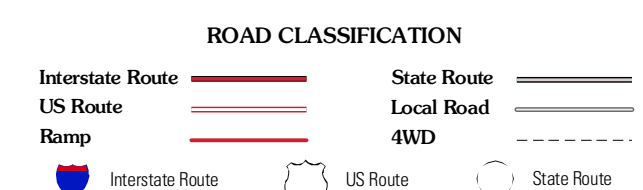
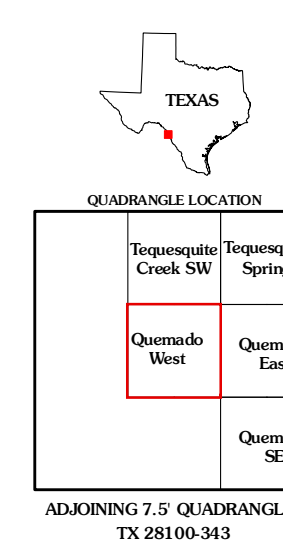


Produced by the United States Geological Survey
North American Datum of 1983 (NAD83)
World Geodetic System of 1984 (WGS84). Projection and
1 000-meter grid; Universal Transverse Mercator, Zone 14R
10 000-foot ticks; Texas Coordinate System of 1983
(south central zone)

Imagery.....NAIP, June 2008
Roads.....US Census Bureau TIGER data
with limited USGS updates, 2006
Names.....GNIS, 2008
Hydrography.....National Hydrography Dataset, 1995
Contours.....National Elevation Dataset, 2008



This map was produced to conform with version 0.5.10 of the
draft USGS Standards for 7.5-Minute Quadrangle Maps.
A metadata file associated with this product is also draft version 0.5.10



QUEMADO WEST, TX-COA
2010