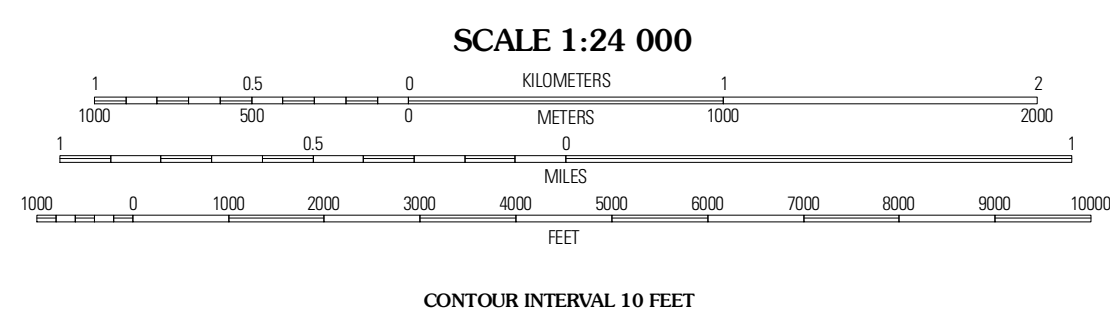
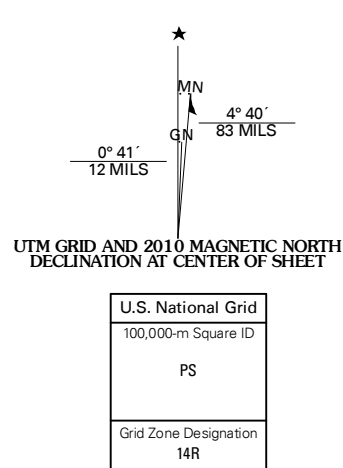




Produced by the United States Geological Survey
North American Datum of 1983 (NAD83)
World Geodetic System of 1984 (WGS84). Projection and
1 000-meter grid; Universal Transverse Mercator, Zone 14R
10 000-foot ticks; Texas Coordinate System of 1983
(south central zone)

Imagery.....NAIP, September 2008
Roads.....US Census Bureau TIGER data
with limited USGS updates, 2004 - 2006
Names.....GNIS, 2008
Hydrography.....National Hydrography Dataset, 1995
Contours.....National Elevation Dataset, 2008



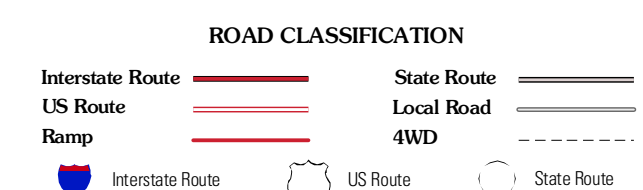
This map was produced to conform with version 0.5.10 of the
draft USGS Standards for 7.5-Minute Quadrangle Maps.
A metadata file associated with this product is also draft version 0.5.10



QUADRANGLE LOCATION

Runge	Yorktown West	Yorktown East
Choate	Runge SE	Wesatche
Berclair NW	Charco	Gold

ADJOINING 7.5' QUADRANGLES
TX 2897-341



RUNGE SE, TX
2010