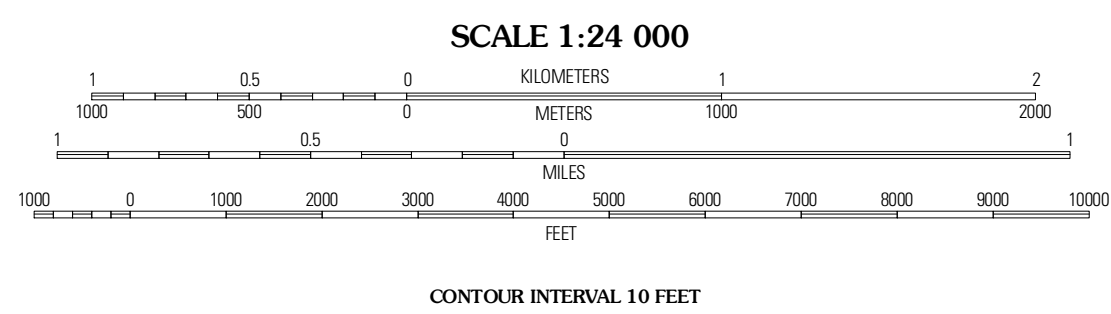
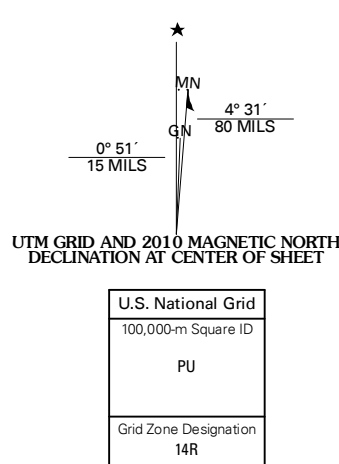


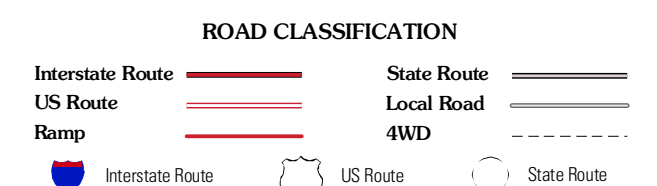
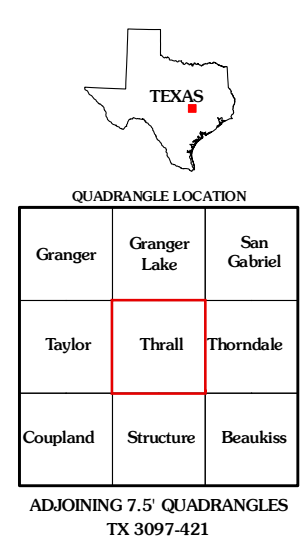


Produced by the United States Geological Survey  
North American Datum of 1983 (NAD83)  
World Geodetic System of 1984 (WGS84). Projection and  
1 000-meter grid: Universal Transverse Mercator, Zone 14R  
10 000-foot ticks: Texas Coordinate System of 1983  
(central zone)

Imagery: NADIP, July 2008  
Roads: US Census Bureau TIGER data  
with limited USGS updates, 2005  
Names: GNIS, 2008  
Hydrography: National Hydrography Dataset, 1995  
Contours: National Elevation Dataset, 2004



This map was produced to conform with version 0.5.10 of the  
draft USGS Standards for 7.5-Minute Quadrangle Maps.  
A metadata file associated with this product is also draft version 0.5.10



**THRALL, TX**  
2010