



U.S. DEPARTMENT OF THE INTERIOR
U. S. GEOLOGICAL SURVEY

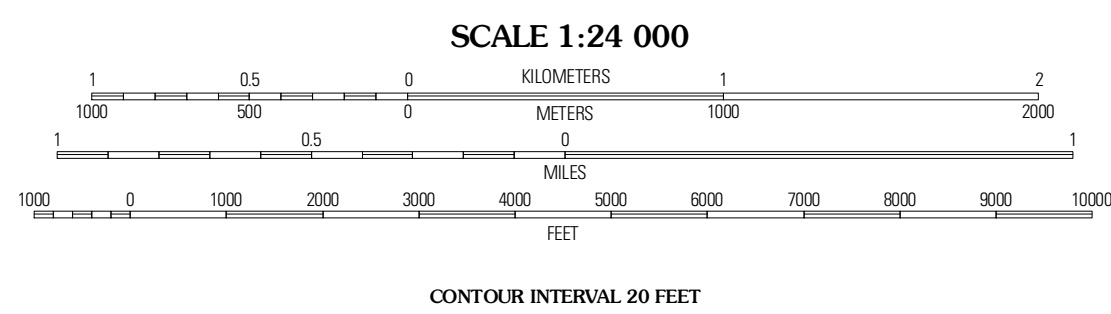
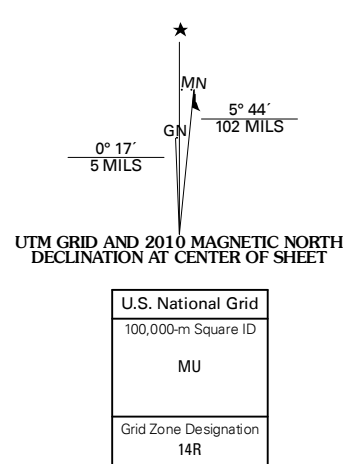


TOBE BRANCH QUADRANGLE
TEXAS
7.5-MINUTE SERIES



Produced by the United States Geological Survey
North American Datum of 1983 (NAD83)
World Geodetic System of 1984 (WGS84). Projection and
1 000-meter grid: Universal Transverse Mercator, Zone 14R
10 000-foot ticks: Texas Coordinate System of 1983
(central zone)

Imagery.....NAP, May 2008
Roads.....US Census Bureau TIGER data
with limited USGS updates, 2008
Names.....GNIS, 2008
Hydrography.....National Hydrography Dataset, 1995
Contours.....National Elevation Dataset, 2004



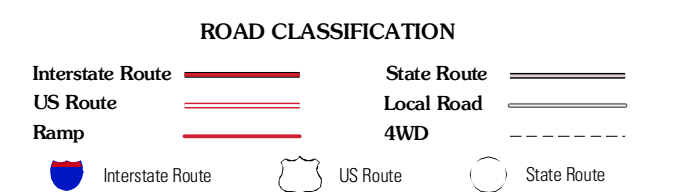
This map was produced to conform with version 0.5.10 of the
draft USGS Standards for 7.5-Minute Quadrangle Maps.
A metadata file associated with this product is also draft version 0.5.10



QUADRANGLE LOCATION

Big Draw	Yates	Monument Mountain
Segovia	Tobe Branch	Noxville
Allen Creek	Melje Draw	Old Noxville

ADJOINING 7.5' QUADRANGLES
TX 3099-244



TOBE BRANCH, TX
2010