



U.S. DEPARTMENT OF THE INTERIOR
U. S. GEOLOGICAL SURVEY

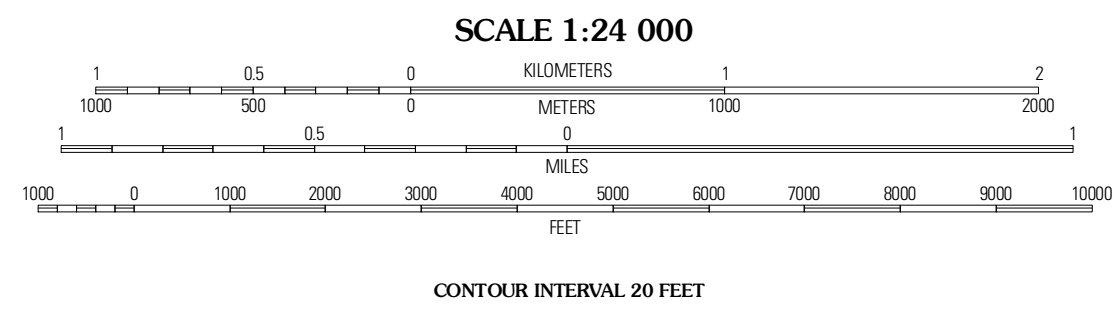
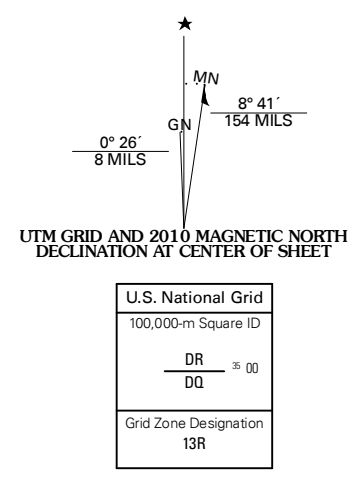


WILDHORSE DRAW QUADRANGLE
TEXAS
7.5-MINUTE SERIES

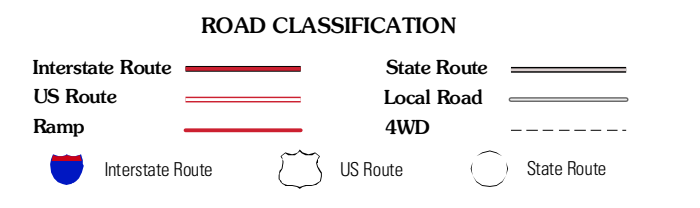
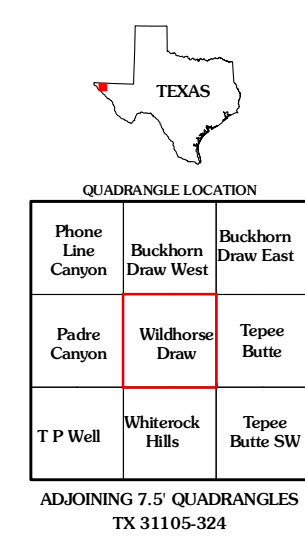


Produced by the United States Geological Survey
North American Datum of 1983 (NAD83)
US Census Bureau TIGER data
World Geodetic System of 1984 (WGS84). Projection and
1 000-meter grid: Universal Transverse Mercator, Zone 13R
10 000-foot ticks: Texas Coordinate System of 1983
(central zone)

Imagery.....NAIP, September 2008
Roads.....US Census Bureau TIGER data
with limited USGS updates, 2008
Names.....GNIS, 2008
Hydrography.....National Hydrography Dataset, 1995
Contours.....National Elevation Dataset, 2005



CONTOUR INTERVAL 20 FEET
This map was produced to conform with version 0.5.10 of the
draft USGS Standards for 7.5-Minute Quadrangle Maps.
A metadata file associated with this product is also draft version 0.5.10



QUADRANGLE LOCATION		
Phone Line Canyon	Buckhorn Draw West	Buckhorn Draw East
Padre Canyon	Wildhorse Draw	Tepee Butte
T P Well	Whitcomb Hills	Tepee Butte SW

ADJOINING 7.5 QUADRANGLES
TX 31105-324

WILDHORSE DRAW, TX
2010