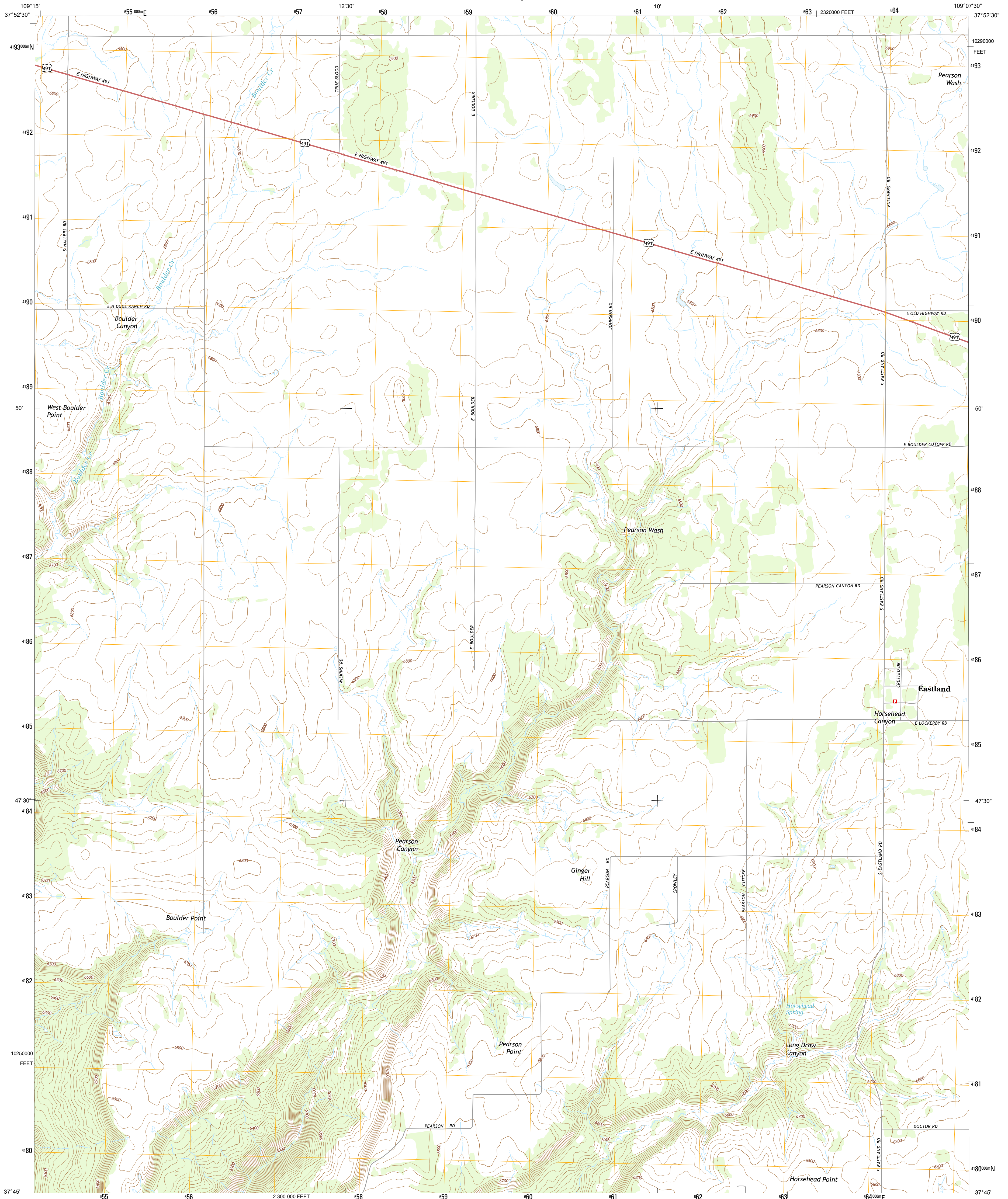




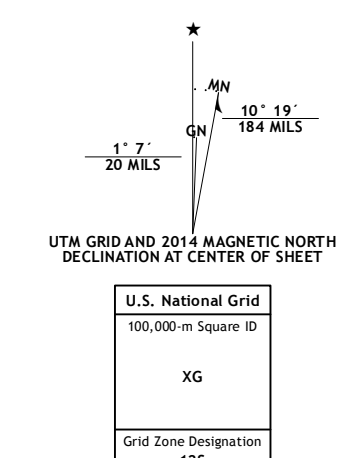
U.S. DEPARTMENT OF THE INTERIOR  
U.S. GEOLOGICAL SURVEY



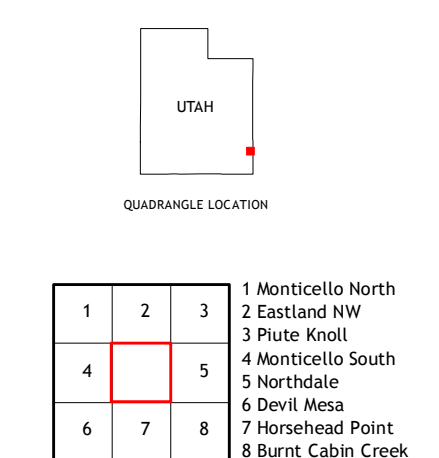
EASTLAND QUADRANGLE  
UTAH-SAN JUAN CO.  
7.5-MINUTE SERIES



**Produced by the United States Geological Survey**  
 North American Datum of 1983 (NAD83)  
 World Geodetic System of 1984 (WGS84) Projection and  
 1,000-meter grid: Universal Transverse Mercator, Zone 12S  
 10,000-foot ticks: Utah Coordinate System of 1983 (south zone)  
 This map is not a legal document. Boundaries may be  
 generalized for this map scale. Private lands within government  
 reservations may not be shown. Obtain permission before  
 entering private lands.



CONTOUR INTERVAL 20 FEET  
 NORTH AMERICAN VERTICAL DATUM OF 1988  
 This map was produced to conform with the  
 National Geospatial Program US Topo Product Standard, 2011.  
 A metadata file associated with this product is draft version 0.6.16



1	2	3
4	5	6
7	8	

ADJOINING QUADRANGLES

- Monticello North
- Eastland NW
- Rute Knoll
- Monticello South
- Northdale
- Devil Mesa
- Horsehead Point
- Burn Cabin Creek

EASTLAND, UT  
2014

