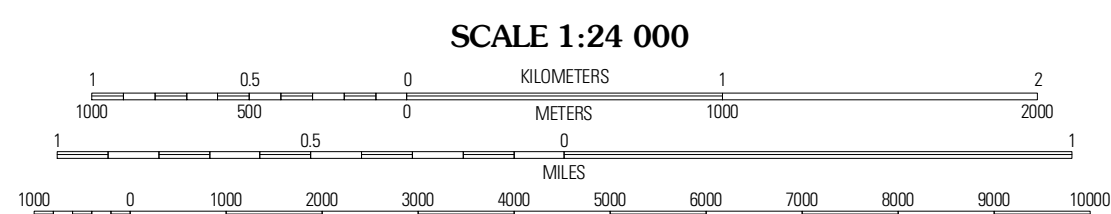
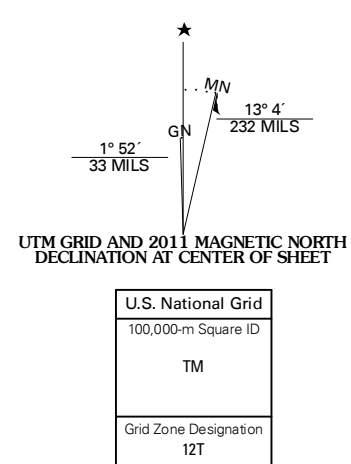




Produced by the United States Geological Survey
North American Datum of 1983 (NAD83)
World Geodetic System of 1984 (WGS84). Projection and
1 000-meter grid: Universal Transverse Mercator, Zone 12T
10 000-foot ticks: Utah Coordinate System of 1983
(north zone)

Imagery:.....NAP, June 2009
Roads:.....©2006-2010 Tele Atlas
Names:.....GNS, 2009
Hydrography:.....National Hydrography Dataset, 2009
Contours:.....National Elevation Dataset, 2002



CONTOUR INTERVAL 20 FEET
NORTH AMERICAN VERTICAL DATUM OF 1988

This map was produced to conform with version 0.5.10 of the
draft USGS Standards for 7.5-Minute Quadrangle Maps.
A metadata file associated with this product is draft version 0.5.11

