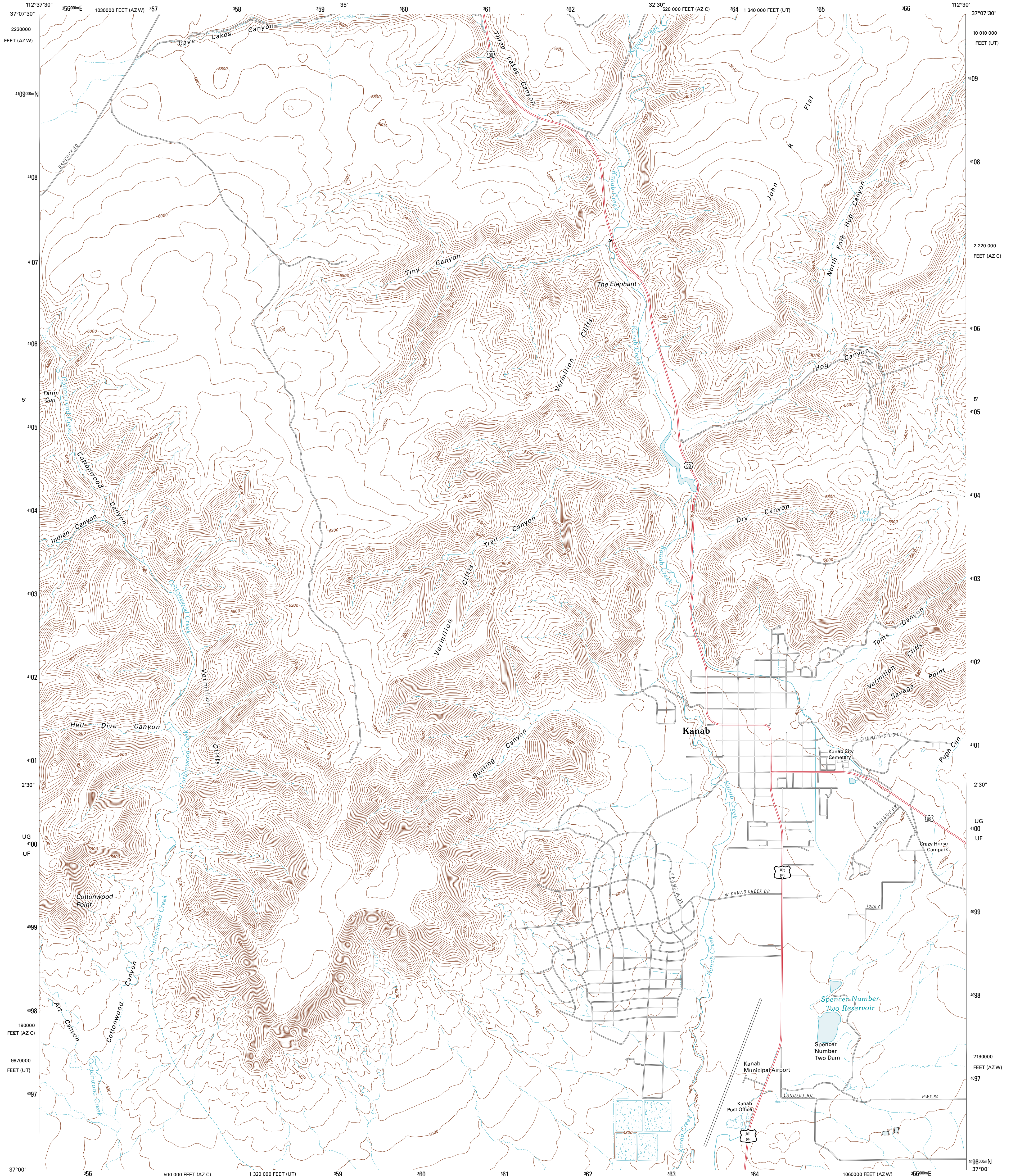




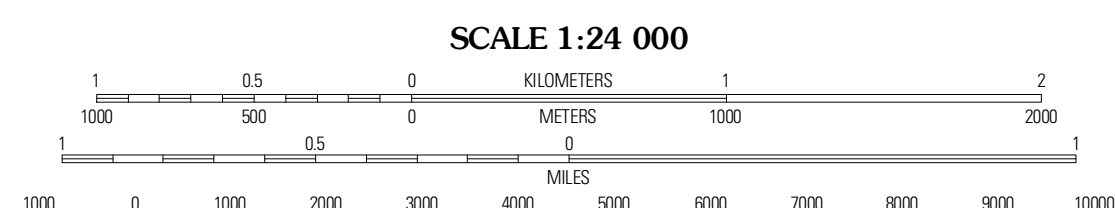
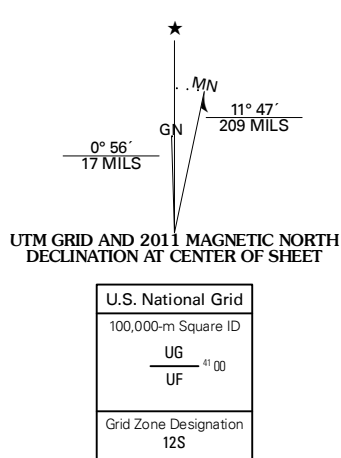
U.S. DEPARTMENT OF THE INTERIOR
U. S. GEOLOGICAL SURVEY



KANAB QUADRANGLE
UTAH-ARIZONA
7.5-MINUTE SERIES

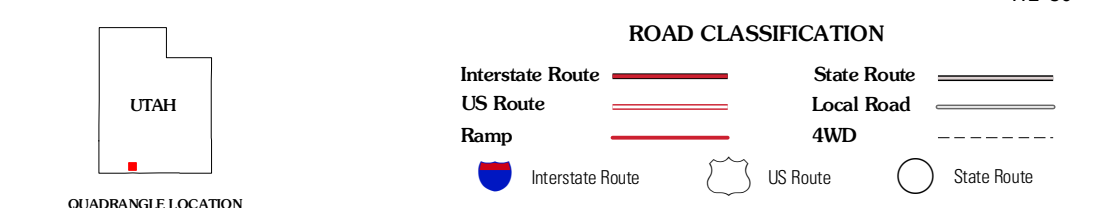


Produced by the United States Geological Survey
North American Datum of 1983 (NAD83)
World Geodetic System of 1984 (WGS84). Projection and
1 000-meter grid: Universal Transverse Mercator, Zone 12S
10 000-foot ticks: Utah Coordinate System of 1983 (south
zone), Arizona Coordinate System of 1983 (west and central
zones)



CONTOUR INTERVAL 40 FEET
NORTH AMERICAN VERTICAL DATUM OF 1988

This map was produced to conform with version 0.5.10 of the
draft USGS Standards for 7.5-Minute Quadrangle Maps.
A metadata file associated with this product is draft version 0.5.11



QUADRANGLE LOCATION

Mount Carmel	White Tower	Culer Point
Yellowjacket Canyon	Kanab	Thompson Point
Kanab	Fredonia	Shinarump Point

KANAB, UT-AZ
2011

ADJOINING 7.5 QUADRANGLES