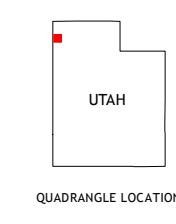
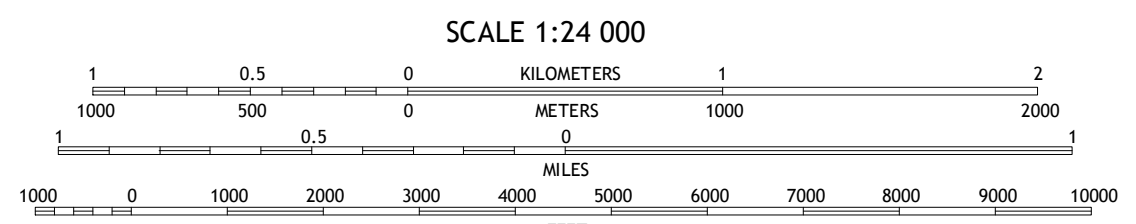
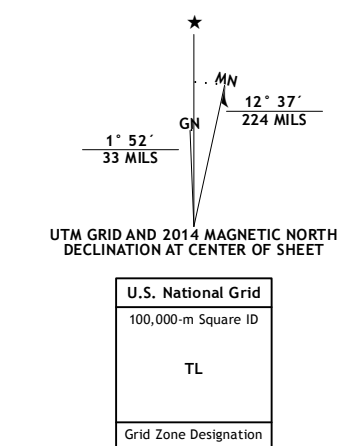


Produced by the United States Geological Survey
North American Datum of 1983 (NAD83)
World Geodetic System of 1984 (WGS84). Projection and
1 000-meter grid: Universal Transverse Mercator, Zone 12T
10 000-foot ticks: Utah Coordinate System of 1983 (north zone)
This map is not a legal document. Boundaries may be
generalized for this map scale. Private lands within government
reservations may not be shown. Obtain permission before
entering private lands.



ROAD CLASSIFICATION

Expressway	Local Connector
Secondary Hwy	Local Road
Ramp	4WD
Interstate Route	US Route
	State Route

1	2	3
4	5	6
7	8	9

ADJOINING QUADRANGLES

LUCIN NE, UT
2014



CONTOUR INTERVAL 20 FEET
NORTH AMERICAN VERTICAL DATUM OF 1988
This map was produced to conform with the
National Geospatial Program US Topo Product Standard, 2011.
A metadata file associated with this product is draft version 0.6.16

Imagery.....NAIP, July 2011
Roads.....HERE, ©2013
Names.....GNIS, 2013
Hydrography.....National Hydrography Dataset, 2011
Contours.....National Elevation Dataset, 2000
Boundaries.....Multiple sources; see metadata file 1972 - 2013
Public Land Survey System.....BLM, 2011