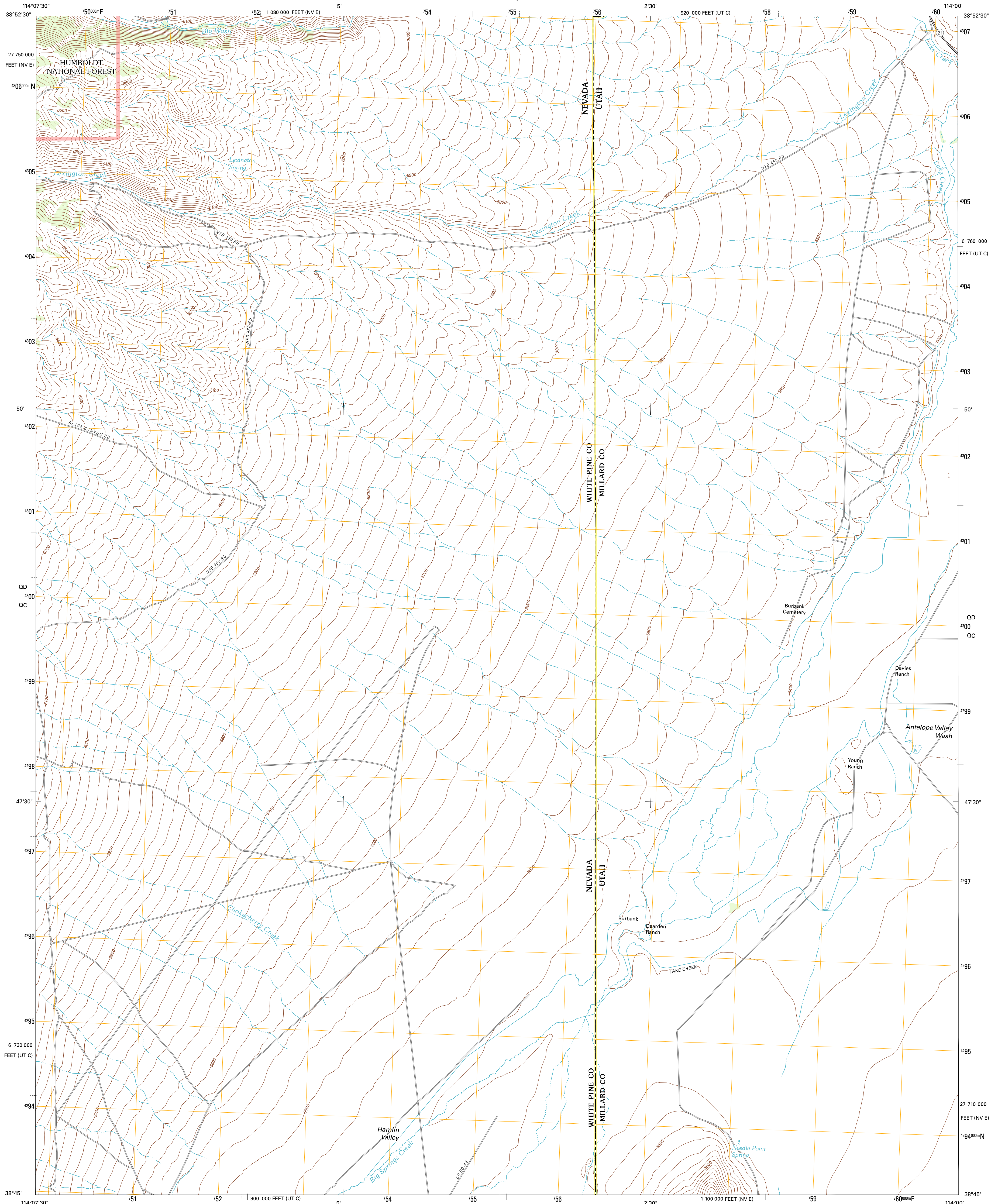




U.S. DEPARTMENT OF THE INTERIOR
U. S. GEOLOGICAL SURVEY

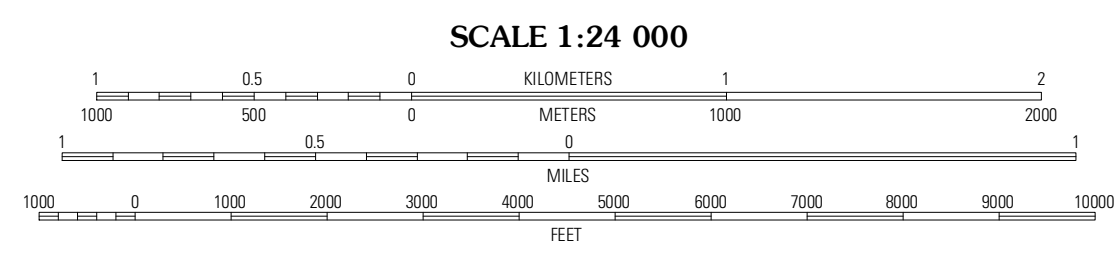
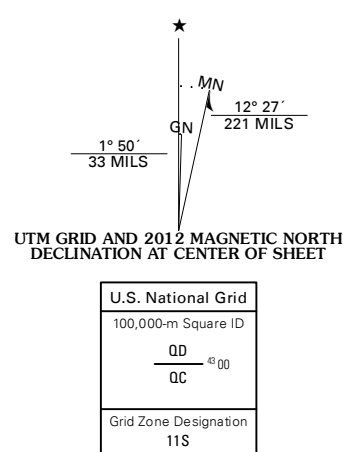


NEEDLE POINT SPRING QUADRANGLE
UTAH-NEVADA
7.5-MINUTE SERIES

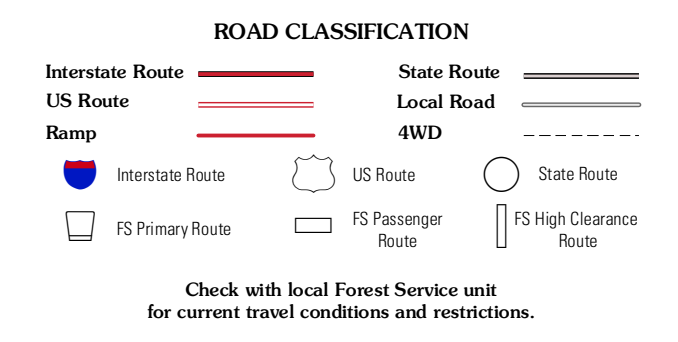
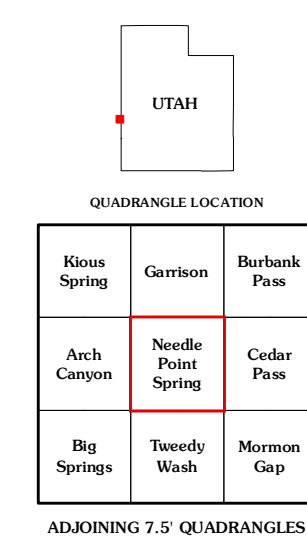


Produced by the United States Geological Survey
North American Datum of 1983 (NAD83)
World Geodetic System of 1984 (WGS84). Projection and
1 000-meter grid: Universal Transverse Mercator, Zone 11S
10 000-foot ticks: Nevada Coordinate System of 1983 (east
zone), Utah Coordinate System of 1983 (central zone)

Imagery:.....NAIP, June 2010
Roads:.....©2006-2011 TomTom
Roads within US Forest Service Lands:.....FS Topo Data
with limited Forest Service updates, 2009
Names:.....GNIS, 2011
Hydrography:.....National Hydrography Dataset, 2010
Contours:.....National Elevation Dataset, 2001
Boundaries:.....Census, IBWC, IBIC, USGS, 1972 - 2010



CONTOUR INTERVAL 20 FEET
NORTH AMERICAN VERTICAL DATUM OF 1988
This map was produced to conform with the
National Geospatial Program US Topo Product Standard, 2011.
A metadata file associated with this product is draft version 0.6.1



Check with local Forest Service unit
for current travel conditions and restrictions.

NEEDLE POINT SPRING, UT-NV
2012