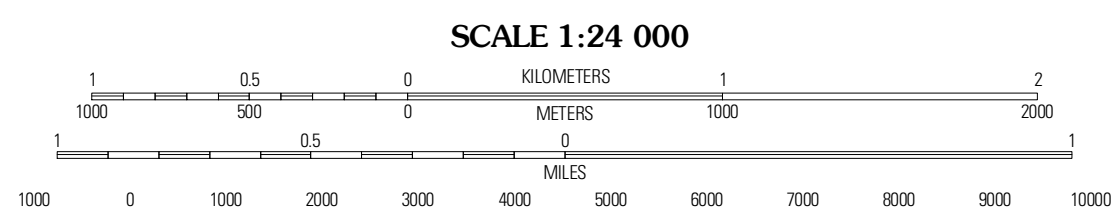
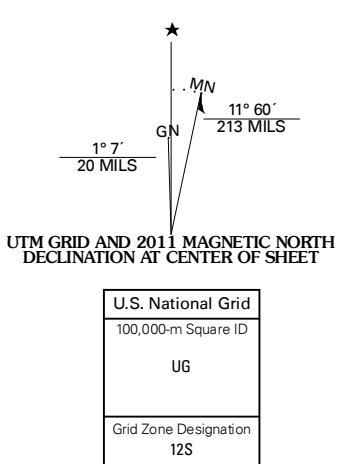


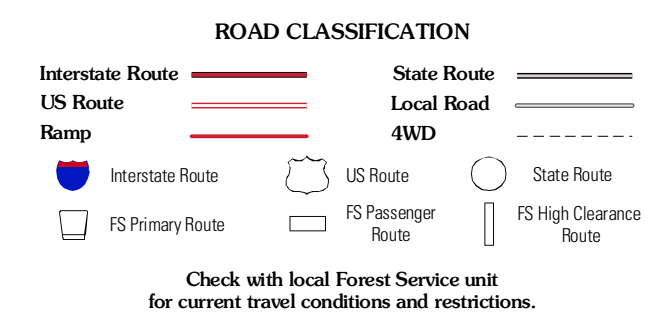
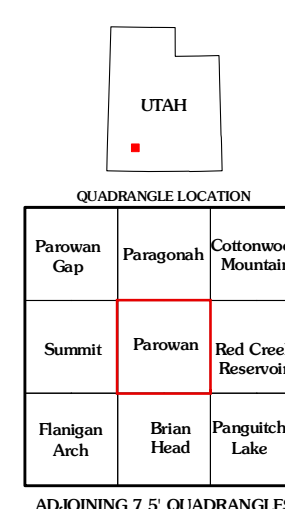
Produced by the United States Geological Survey
North American Datum of 1983 (NAD83)
World Geodetic System of 1984 (WGS84), Projection and
1 000-meter grid: Universal Transverse Mercator, Zone 12S
10 000-foot ticks: Utah Coordinate System of 1983
(south zone)

Imagery.....NAP, August 2009
Roads.....©2006-2010 Tele Atlas
Roads within US Forest Service Lands.....FS Topo Data
with limited Forest Service updates, 2009
Names.....GNIS, 2009
Hydrography.....National Hydrography Dataset, 2009
Contours.....National Elevation Dataset, 2000



CONTOUR INTERVAL 40 FEET
NORTH AMERICAN VERTICAL DATUM OF 1988

This map was produced to conform with version 0.5.10 of the
draft USGS Standards for 7.5-Minute Quadrangle Maps.
A metadata file associated with this product is draft version 0.5.13



PAROWAN, UT
2011