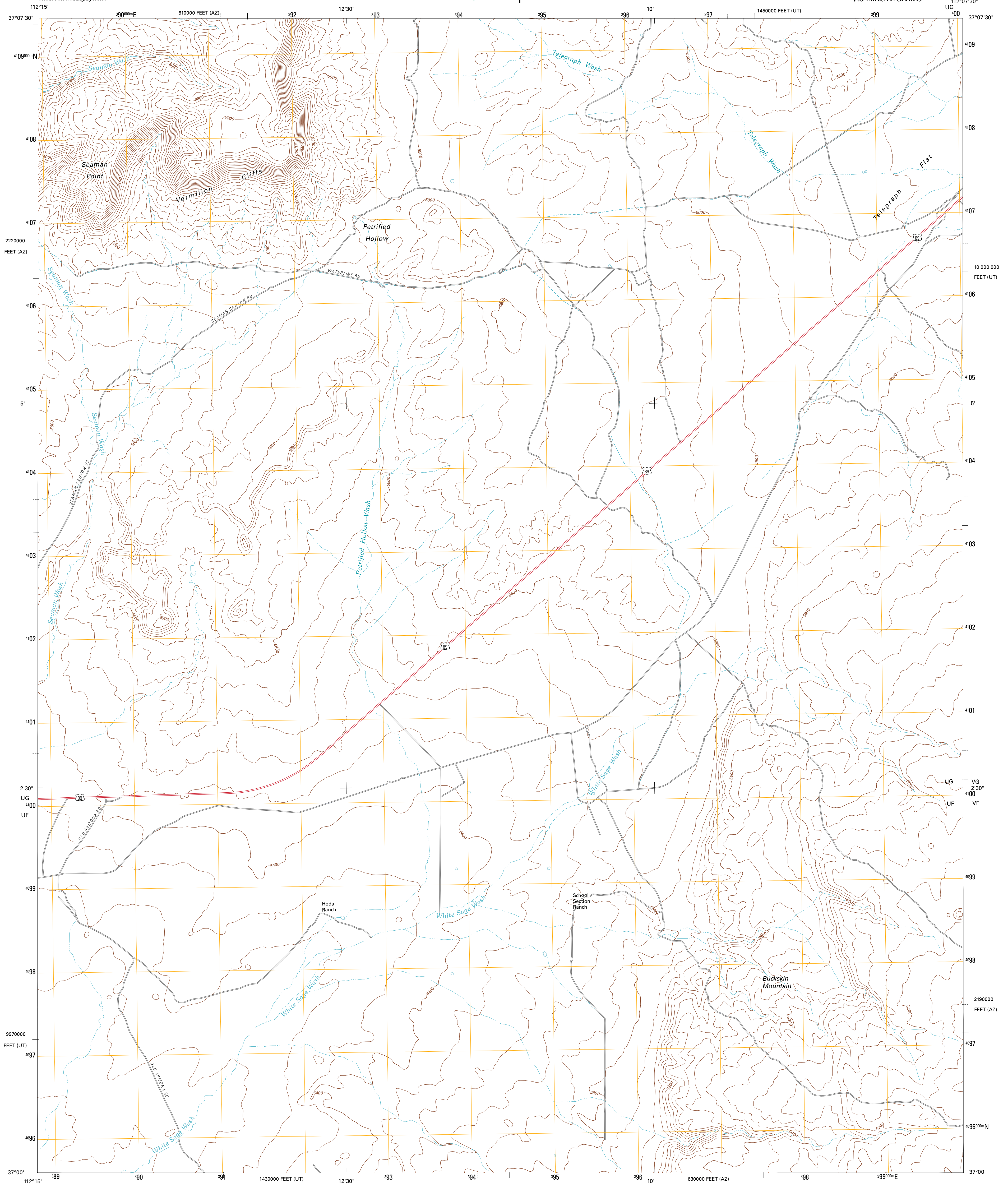




U.S. DEPARTMENT OF THE INTERIOR
U. S. GEOLOGICAL SURVEY

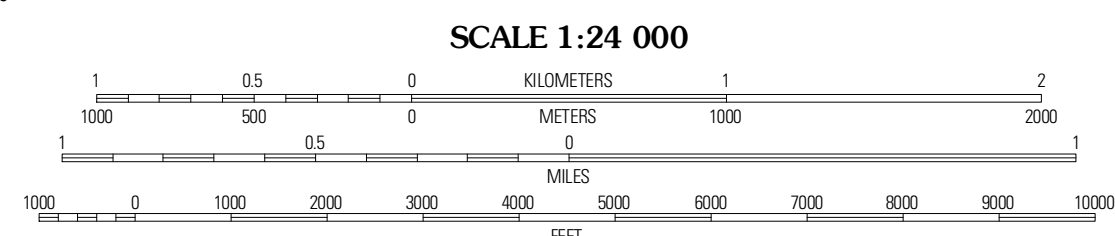
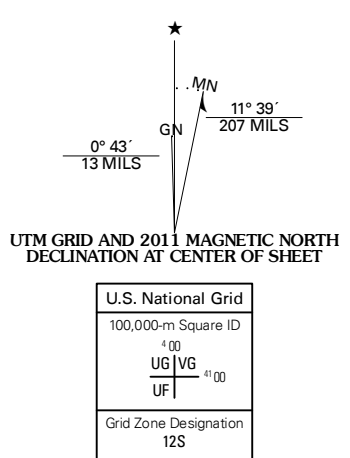


PETRIFIED HOLLOW QUADRANGLE
UTAH-ARIZONA
7.5-MINUTE SERIES



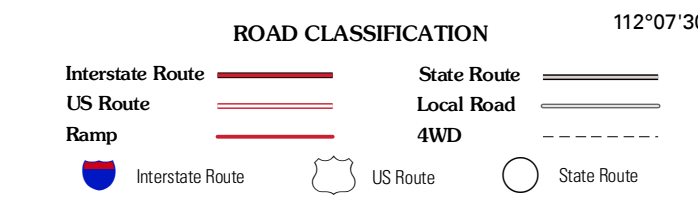
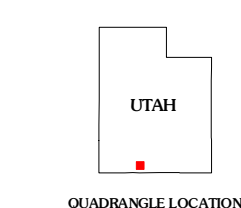
Produced by the United States Geological Survey
North American Datum of 1983 (NAD83)
World Geodetic System of 1984 (WGS84). Projection and
1 000-meter grid: Universal Transverse Mercator, Zone 12S
10 000-foot ticks: Utah Coordinate System of 1983 (south
zone), Arizona Coordinate System of 1983 (central zone)

Imagery.....NAIP, August 2009
Roads.....©2006-2010 Tele Atlas
Names.....GNIS, 2010
Hydrography.....National Hydrography Dataset, 2009
Contours.....National Elevation Dataset, 1999



CONTOUR INTERVAL 40 FEET
NORTH AMERICAN VERTICAL DATUM OF 1988

This map was produced to conform with version 0.5.10 of the
draft USGS Standards for 7.5-Minute Quadrangle Maps.
A metadata file associated with this product is draft version 0.5.11



QUADRANGLE LOCATION

Pine Point	Nephi Point	Eightmile Pass
Johnson Lakes	Petrified Hollow	Pine Hollow Canyon
Muggins Flat	Buck Pasture Canyon	Coyote Buttes

PETRIFIED HOLLOW, UT-AZ
2011

ADJOINING 7.5 QUADRANGLES