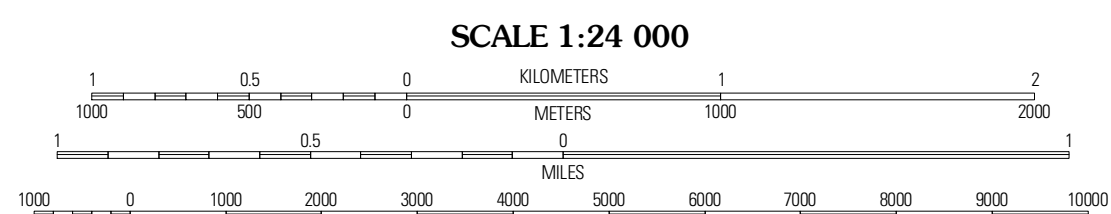
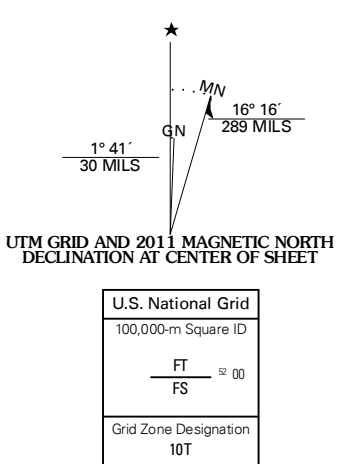


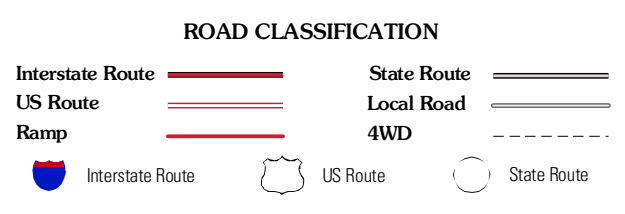
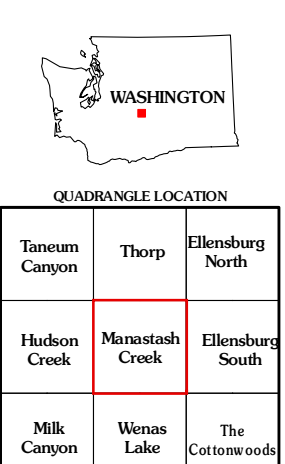


Produced by the United States Geological Survey
North American Datum of 1983 (NAD83)
World Geodetic System of 1984 (WGS84) Projection and
1 000-meter grid: Universal Transverse Mercator, Zone 10T
10 000-foot ticks: Washington Coordinate System of 1983
(south zone)

Imagery.....NAP, July 2009
Roads.....2006-2010 Tele Atlas
Names.....GNIS, 2009
Hydrography.....National Hydrography Dataset, 2009
Contours.....National Elevation Dataset, 1999



CONTOUR INTERVAL 40 FEET
NORTH AMERICAN VERTICAL DATUM OF 1988
This map was produced to conform with version 0.5.10 of the
draft USGS Standards for 7.5-Minute Quadrangle Maps.
A metadata file associated with this product is draft version 0.5.11



QUADRANGLE LOCATION

Taneam Canyon	Thorp	Ellensburg North
Hudson Creek	Manastash Creek	Ellensburg South
Milk Canyon	Wenas Lake	The Cottonwoods

ADJOINING 7.5' QUADRANGLES

MANASTASH CREEK, WA
2011