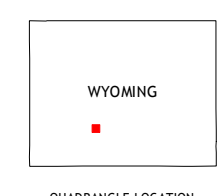
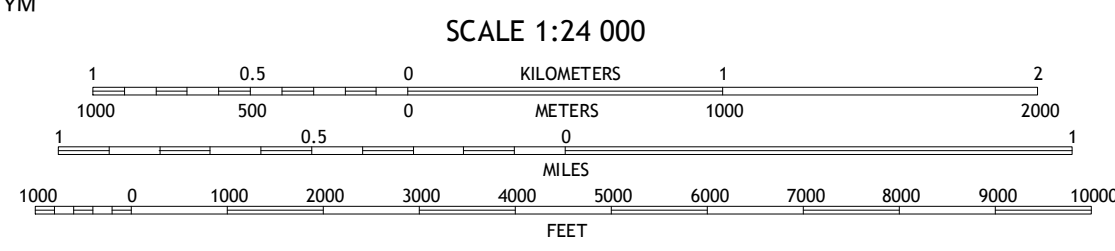
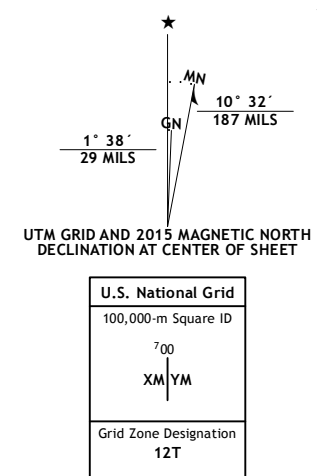


Produced by the United States Geological Survey
North American Datum of 1983 (NAD83)
World Geodetic System of 1984 (WGS84), Projection and
1 000-meter grid; Universal Transverse Mercator, Zone 12T
10 000-foot ticks; Wyoming Coordinate System of 1983 (west
central zone)

This map is not a legal document. Boundaries may be
generalized for this map scale. Private lands within government
reservations may not be shown. Obtain permission before
entering private lands.

Imagery.....NAIP, July 2012
Roads.....HERE, C2013 - 2014
Names.....GNIS, 2015
Hydrography.....National Hydrography Dataset, 2012
Contours.....National Elevation Dataset, 2008
Boundaries.....Multiple sources; see metadata file 1972 - 2015
Public Land Survey System.....BLM, 2011



ROAD CLASSIFICATION

Expressway	Local Connector
Secondary Hwy	Local Road
Ramp	4WD
Interstate Route	US Route
	State Route

ADJOINING QUADRANGLES

1	2	3
4	5	
6	7	8

1 Bob Jack Well
2 John Hay Reservoir
3 Five Fingers Butte
4 The Pinnacles
5 Luman Rim
6 Black Rock Flat West
7 Black Rock Flat East
8 Red Lake

BUFFALO HUMP BASIN, WY
2015

