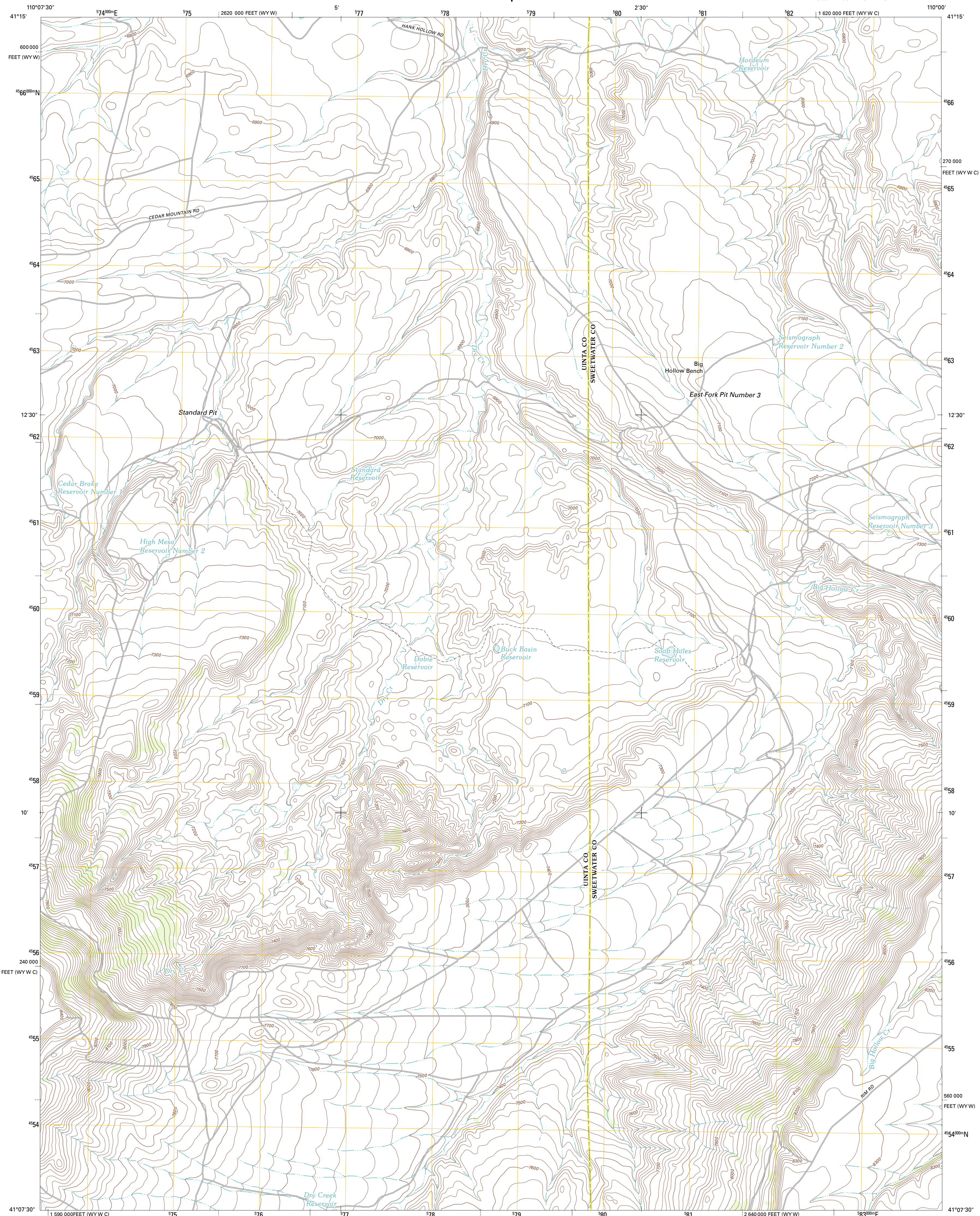




U.S. DEPARTMENT OF THE INTERIOR  
U. S. GEOLOGICAL SURVEY

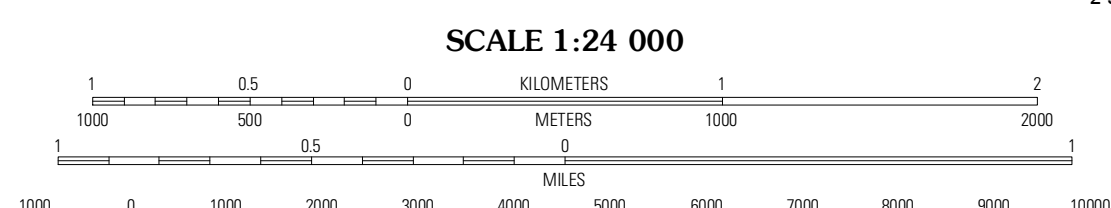
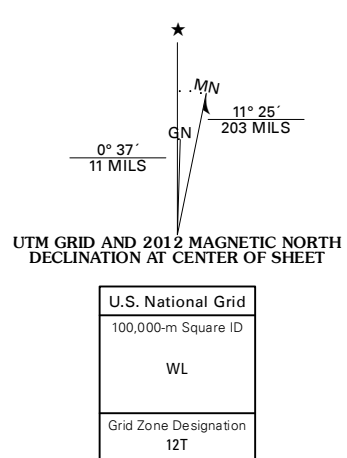


SOAP HOLES RESERVOIR QUADRANGLE  
WYOMING  
7.5-MINUTE SERIES



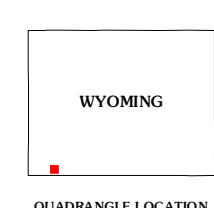
Produced by the United States Geological Survey  
North American Datum of 1983 (NAD83)  
World Geodetic System of 1984 (WGS84). Projection and  
1 000-meter grid: Universal Transverse Mercator, Zone 12T  
10 000-foot ticks: Wyoming Coordinate System of 1983  
(west and west central zones)

Imagery.....©2006-2011 TomTom  
Roads.....©2006-2011 TomTom  
Names.....GNIS, 2011  
Hydrography.....National Hydrography Dataset, 2009  
Contours.....National Elevation Dataset, 2000  
Boundaries.....Census, BWC, BIC, USGS, 1972 - 2010  
Public Land Survey System.....BLM, 2006 - 2008



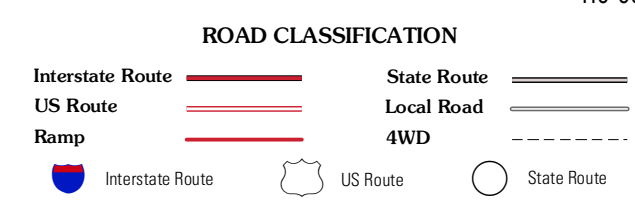
CONTOUR INTERVAL 20 FEET  
NORTH AMERICAN VERTICAL DATUM OF 1988

This map was produced to conform with the  
National Geospatial Program US Topo Product Standard, 2011.  
A metadata file associated with this product is draft version 0.6.3



Turtle Hill Reservoir	Butcher Knife Draw	Needle Reservoir
Reed Reservoir	Soap Holes Reservoir	Horse Ranch
Lonetree	Burnfork	McKinon

ADJOINING 7.5' QUADRANGLES



SOAP HOLES RESERVOIR, WY  
2012