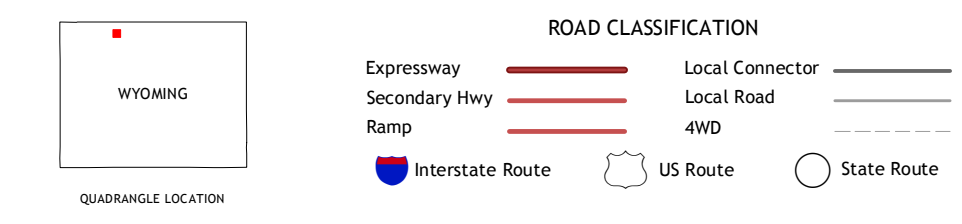
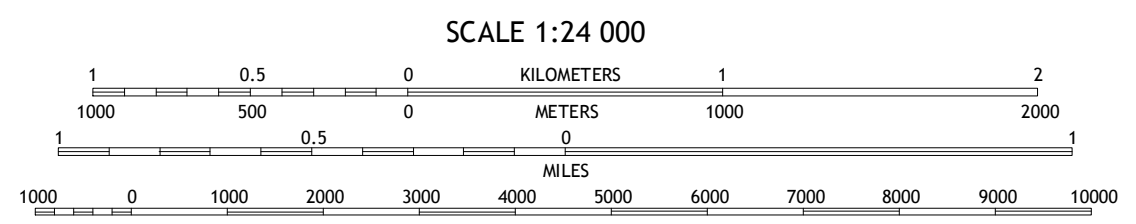
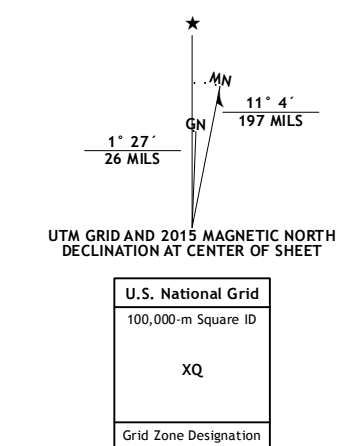


Produced by the United States Geological Survey
North American Datum of 1983 (NAD83)
World Geodetic System of 1984 (WGS84). Projection and
1 000-meter grid: Universal Transverse Mercator, Zone 12T
10 000-foot ticks: Wyoming Coordinate System of 1983 (west
central zone)

This map is not a legal document. Boundaries may be
generalized for this map scale. Private lands within government
reservations may not be shown. Obtain permission before
entering private lands.

Imagery.....N.A.I.P., July 2012
Roads.....HERE, 2013
Names.....GNIS, 2015
Hydrography.....National Hydrography Dataset, 2012
Contours.....National Elevation Dataset, 2008
Boundaries.....Multiple sources; see metadata file 1972 - 2015
Public Land Survey System.....BLM, 2011



1	2	3
4	5	6
7	8	8

ADJOINING QUADRANGLES

1 Badlands Hills
2 Elk Basin SW
3 Elk Basin SE
4 Eaglenest Basin
5 Ralston
6 Cody
7 Corbett Dam
8 Stone Barn Camp

VOCATION, WY
2015

